

ROBUS®

QUALITY PRODUCTS BY LED GROUP

280MM TRIM ACCESSORY FOR MORPH LED DOWNLIGHT, WHITE

RMP280TRIM-01

PLEASE READ INSTRUCTION BEFORE COMMENCING INSTALLATION AND RETAIN FOR FUTURE REFERENCES.

! Electrical products can cause death or injury, or damage to property. If in any doubt about the installation or use of this product, consult a competent electrician

Note:

Product technical information and specification may change over time without prior notification. For the latest technical information please visit our web site www.ledgrouprobust.com or robustdirect.com

Installation

Diameter is 280mm.
Max cut-out is 270mm.

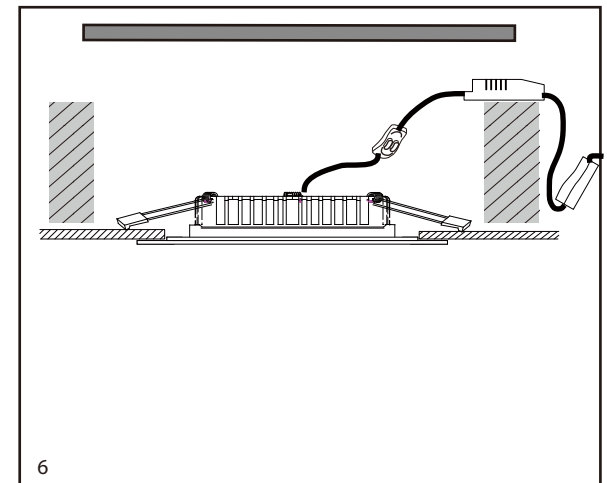
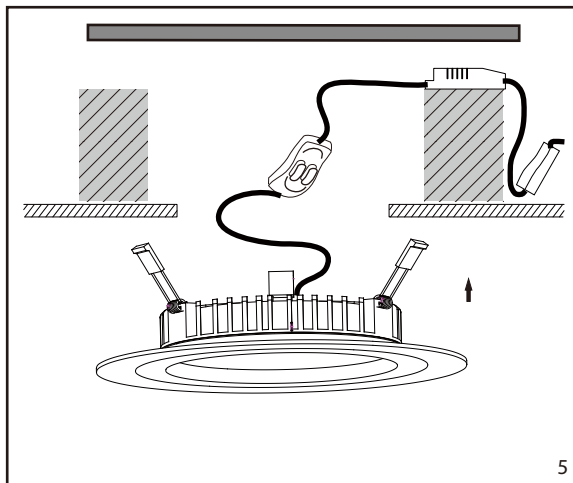
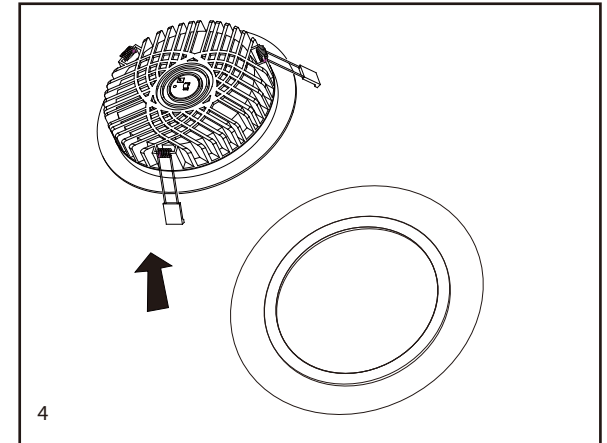
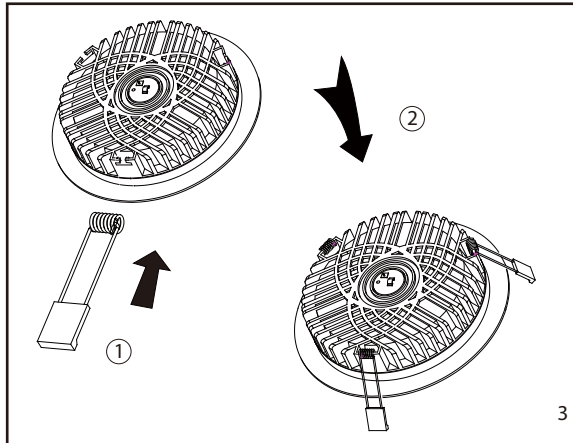
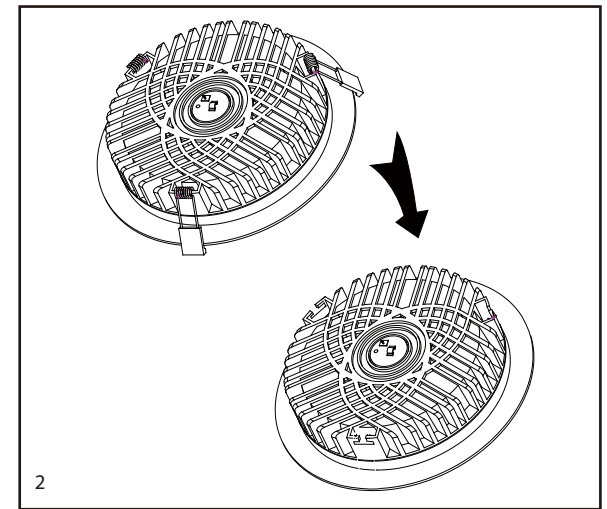
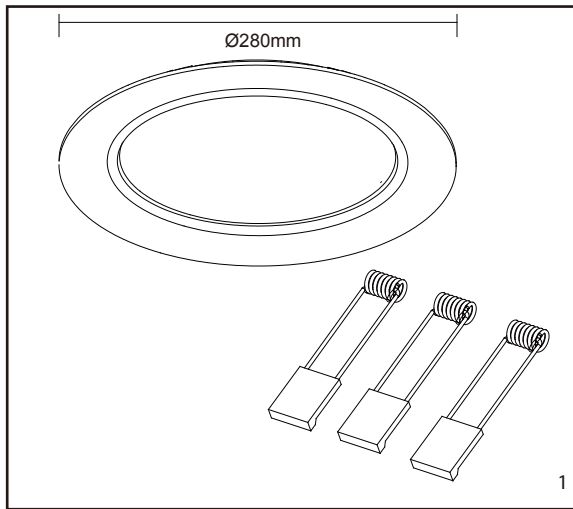
1. Ensure mains supply is switched off before commencing work.
2. This luminaire with Trim accessory is suitable for cut-outs Ø195-270mm.
4. Remove the short springs and refit the longer springs provided.
5. Attach the trim to the fitting.
6. Offer luminaire up to cut-out. Hold retention spring vertically against fitting body, push fitting through the cut-out until the springs come down on the upper side of the plaster board. Ensure that the fitting is secure and the bezel is tight against the ceiling.

Note: This luminaire has no user serviceable parts. If damaged, disconnect from mains and discontinue

Information for the Product user:

1. Please note the requirement to dispose of Waste Electrical & Electronic Equipment separately from household waste (WEEE marked with crossed out wheelee bin symbol).
2. Please consider your role in contributing to re-use and recycling by returning this product at end of life to a collection centre for waste electrical equipment or a Civic Amenity site, or to a retail outlet from which you are purchasing a replacement.
3. This equipment may contain substances that are hazardous to health and the environment if disposed of carelessly. It is important that it is separated from normal household waste and recycled in the WEEE chain
4. The "crossed out wheelee bin symbol" on a product indicates this equipment must not be disposed of in normal household waste, but should be disposed of according to local WEEE regulations

The Installation must be carried out by a qualified electrician



Western Retail Park
Nangor Road
Dublin 12
Ireland

Tel: +353 1 7099000
Fax: +353 1 7099060
Email: info@ledgrouprobust.com
Website: www.ledgrouprobust.com

